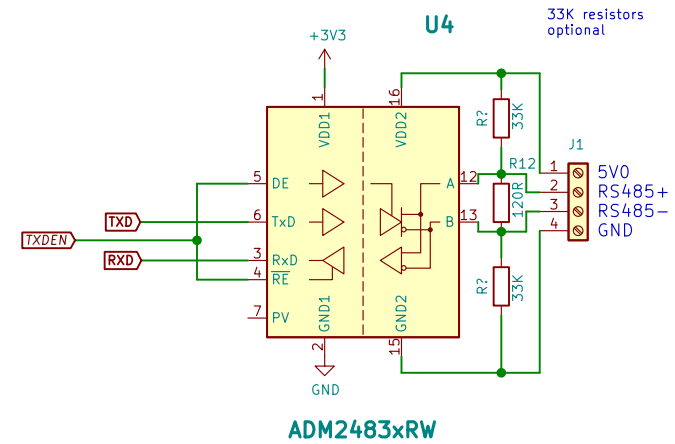
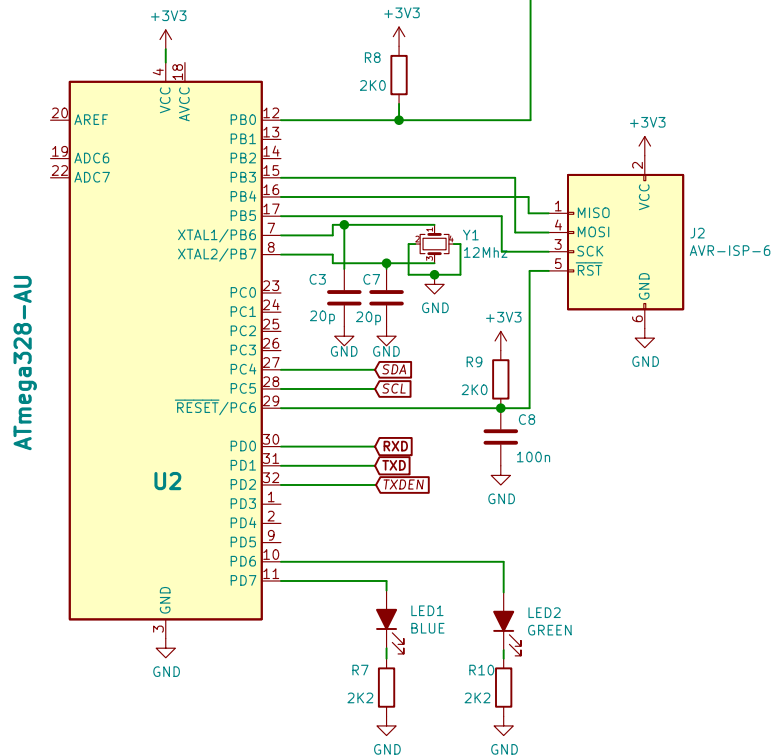
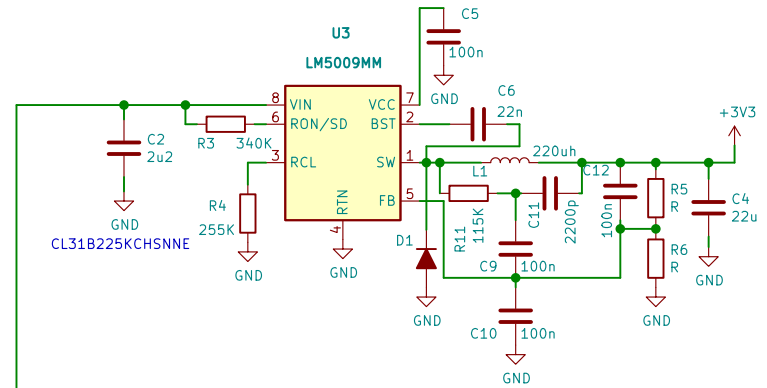
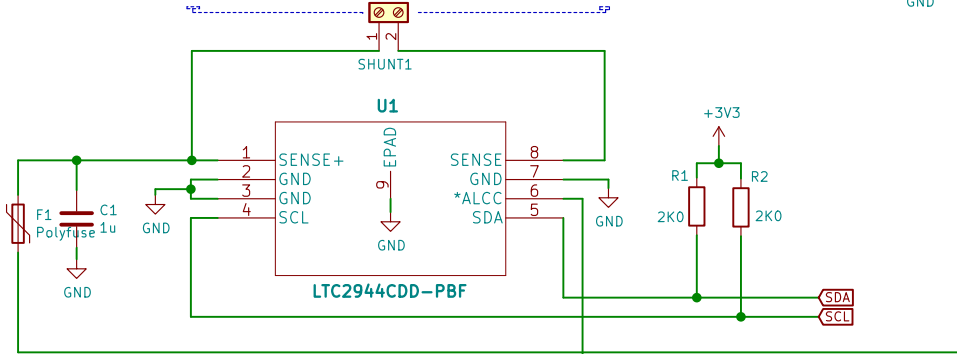
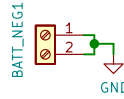


To LOAD To battery pack +ve



Wire to battery pack -ve



## Binary Audio Designs George Boudreau

Sheet: /  
File: diyBMS-CurrentShunt.sch

Title: diyBMS Isolated Current Shunt

Size: USLetter Date: 2020-07-06

KiCad E.D.A. kicad 5.1.6-c6e7f7d86ubuntu18.04.1

Rev: v0.30

Id: 1/1