

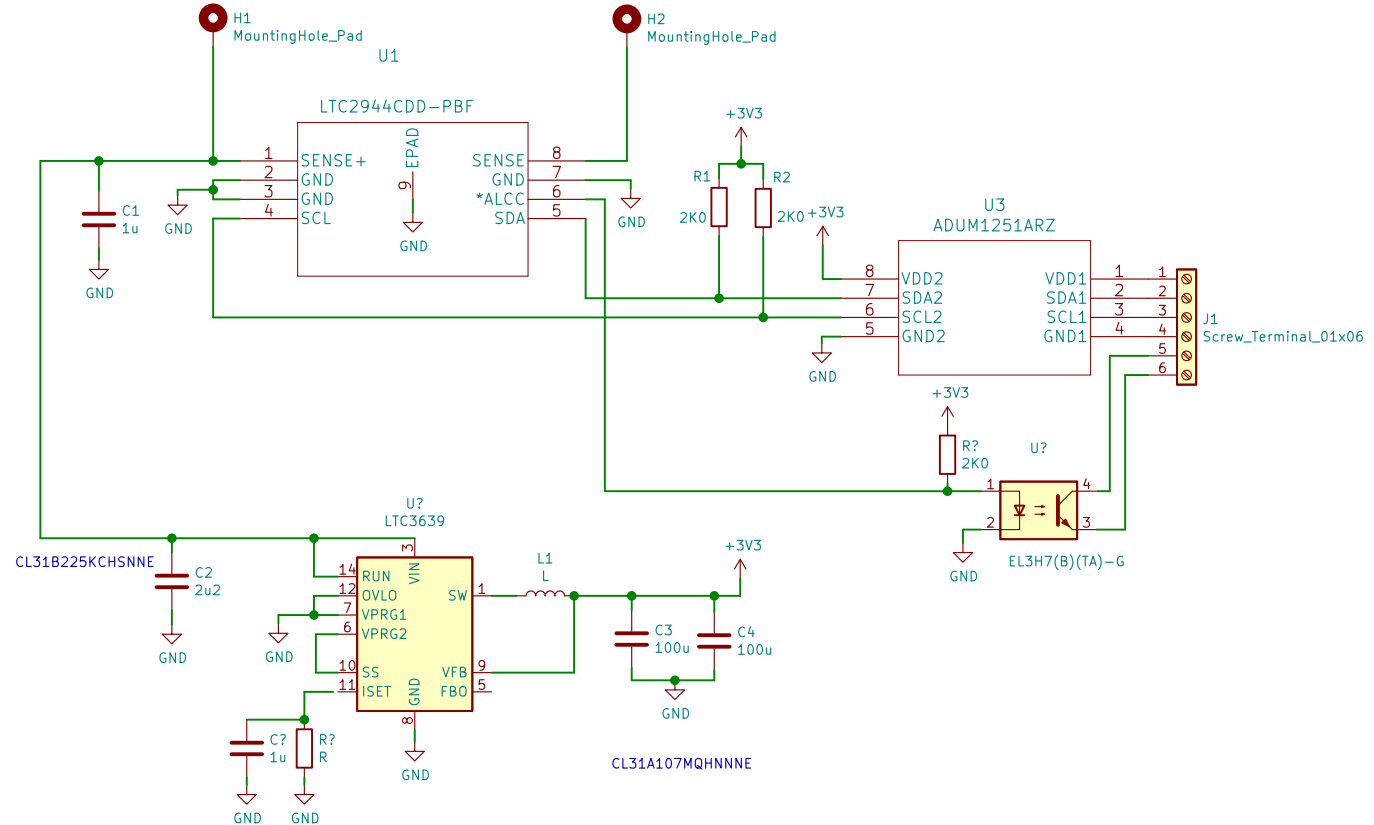
To LOAD

SHUNT 50mv FS

To battery pack +ve

Kelvin Connections

Wire to battery pack -ve



**Binary
Audio
Designs George Boudreau**

Sheet: /
File: diyBMS-CurrentShunt.sch

Title: diyBMS Isolated Current Shunt

Size: USLetter Date: 2020-07-06

Rev: v0.30

KiCad E.D.A. kicad 5.1.6-c6e7f7d86ubuntu18.04.1

Id: 1/1