

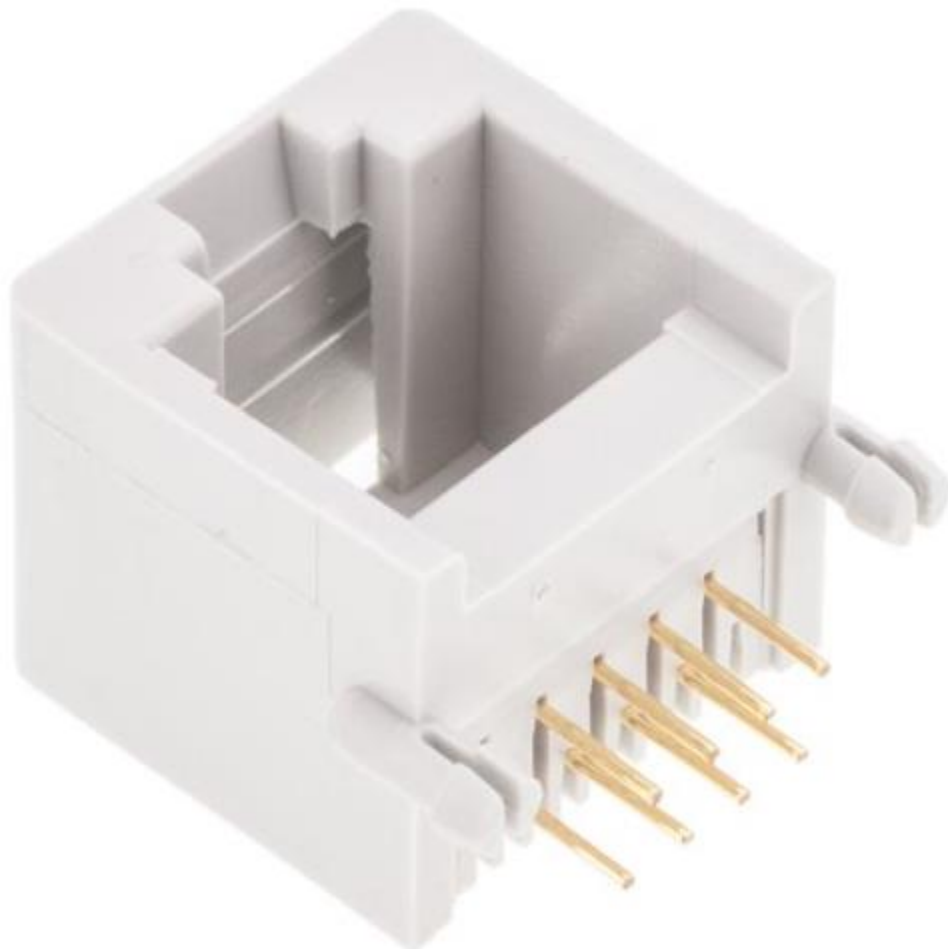


**ENGLISH**

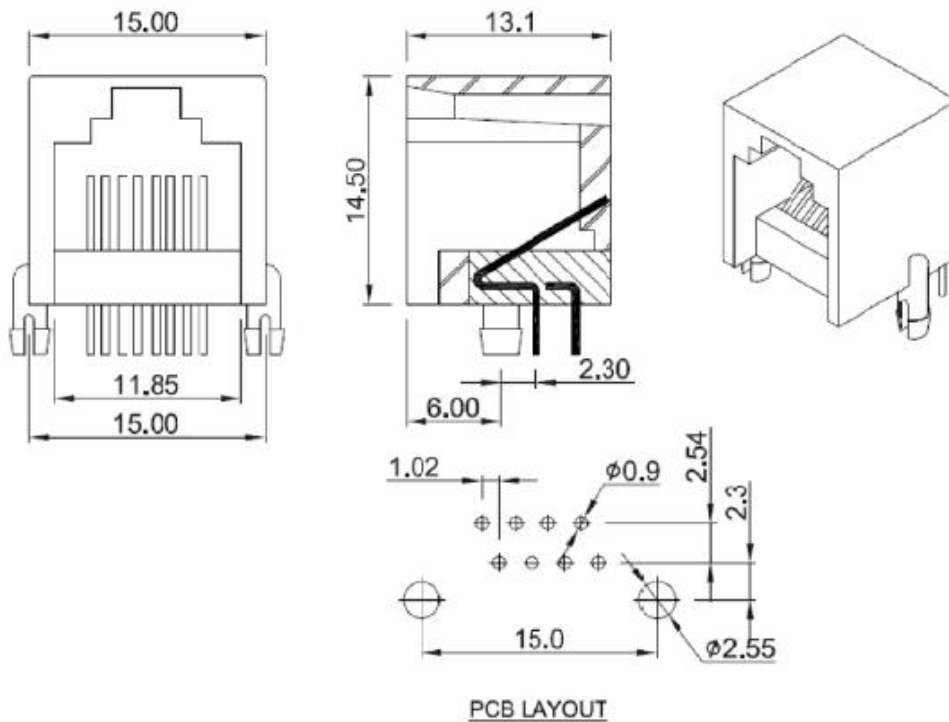
## Product Datasheet

### **RS Pro Cat5 RJ45 Connector Socket, Unshielded, Right Angle, PCB Mount**

**RS Stock No. 331-6437**



## SPECIFICATION



### ELECTRICAL :

1. VOLTAGE RATING : 125V.
2. CURRENT RATING : 1.5A.
3. CONTACT RESISTANCE : 30 MILLIOHMS MAX.
4. INSULATION RESISTANCE : 500 MEGOHM MIN.
5. DIELECTRIC WITHSTANDING VOLTAGE : 1000VAX, RMS, 60Hz, 1MINUTE.

### MECHANICAL :

1. PLUG RETAINED FORCE : 11KG MAX.
2. DURABILITY : 750 MATING CYCLES MIN.
3. OPERATING TEMPERATURE :  $-40^{\circ}\text{C} \sim +125^{\circ}\text{C}$ .